



PREDATOR
BATTERIES LTD



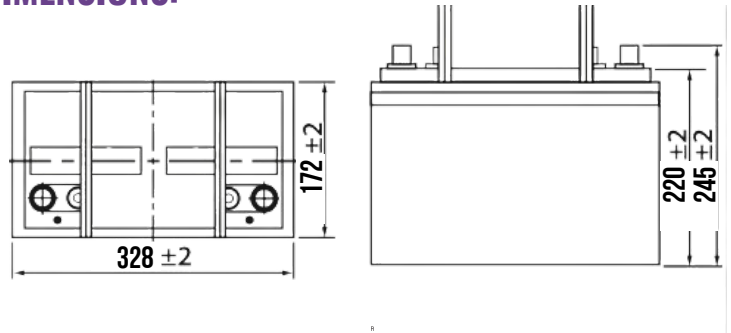
PR12-2000DT-DPX 12.6V

DUAL PURPOSE XTREME BATTERY 125 AH @C20
140 AH @C100

BATTERY FEATURES

- High Cranking Power
- MCA 1000 Amps
- Extra Deep Cycle Ability (1000 cycles)
- Carbon Reduces Sulphation (PSOC)
- Totally Maintenance Free
- Dual Terminal - Post and Stud
- High Temperature Operation
- Up to 12 months Shelf Life
- Design Life 8 years

DIMENSIONS:



PERFORMANCE SPECIFICATIONS

Nominal Voltage	12.6 V
Rated Capacity	125 AH @ C20 / 140 AH @ C100
Cycle Life	>1000 Cycles
Approximate Weight	33.2 kg
Internal Resistance	≤ 4.8 mΩ
Max Charge Current	33 A
Charging Voltage	14.4-14.8 v cycle use
Series & Parallel Connection	unlimited in series and parallel
Operating Temperature Range	
Charge	0°C to 50°C
Discharge	-20°C to 50°C
Storage	-20°C to 50°C
Self-Discharge Rate	≤3%/month@ 20°C
Terminal Type	Twin Terminal

